

BRONZE THREADED FITTINGS

SPECIFICATIONS

BRONZE THREADED FITTINGS (LEAD FREE)

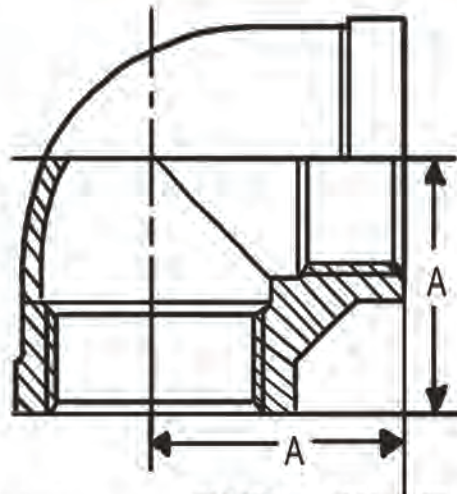
- Bronze castings conform to ASTM B62
- Bronze fitting dimensions conform to ASME B16.15
- NPT threads on all fittings conform to ASME B1.20.1
- Manufacturing Facilities are ISO 9001:2008
- Fittings have QTB Trademark and are 100% air tested
- Approved to ANSI/NSF 61-4 Annex G and California AB 1953 (<0.25% Lead)



CHARMAN
MANUFACTURING

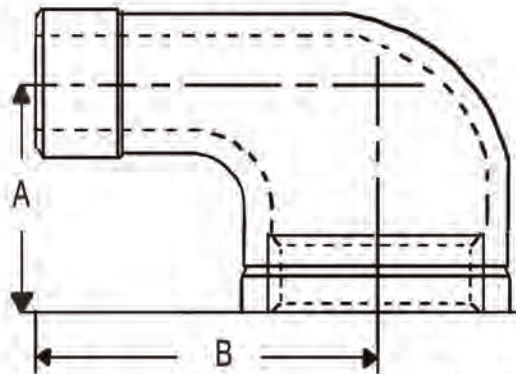
BRONZE THREADED FITTINGS

90° ELBOWS



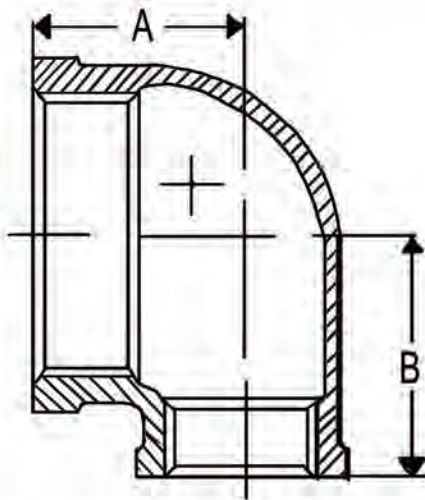
PART #	SIZE	INNER CTN	MASTER CTN	A
550100 NL	1/8"	200	800	0.53
550101 NL	1/4"	100	400	0.7
550102 NL	3/8"	75	300	0.81
550103 NL	1/2"	50	200	1.01
550104 NL	3/4"	25	100	1.17
550105 NL	1"	20	80	1.43
550106 NL	1-1/4"	25	50	1.68
550107 NL	1-1/2"		35	1.83
550108 NL	2"		20	2.12
550109 NL	2-1/2"		10	2.69
550110 NL	3"		6	3.07
550111 NL	4"		2	3.78

90° STREET ELBOWS



PART #	SIZE	INNER CTN	MASTER CTN	A	B
550120 NL	1/8"	200	800	0.54	0.92
550121 NL	1/4"	100	400	0.72	1.1
550122 NL	3/8"	60	240	0.81	1.23
550123 NL	1/2"	50	200	1.01	1.47
550124 NL	3/4"	25	100	1.17	1.65
550125 NL	1"	25	50	1.42	1.98
550126 NL	1-1/4"	20	40	1.69	1.69
550127 NL	1-1/2"		35	1.83	2.46
550128 NL	2"		20	2.11	2.88
550129 NL	2-1/2"		9	2.64	3.8
550130 NL	3"		6	3.01	4.45
550131 NL	4"		2	3.72	5.63

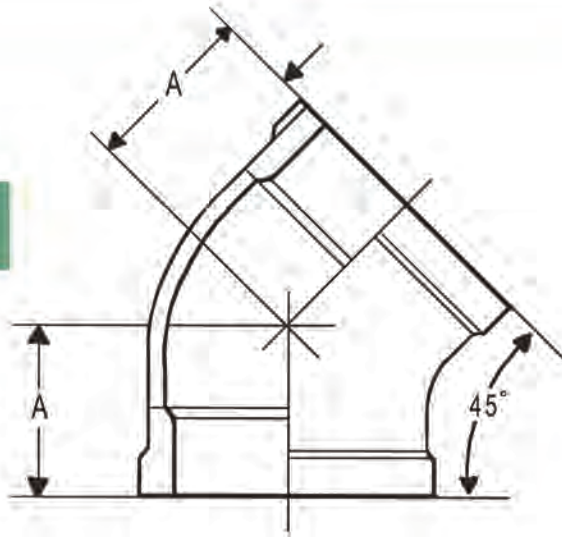
90° REDUCING ELBOWS



PART #	SIZE	INNER CTN	MASTER CTN	A	B
550140 NL	3/8" X 1/8"	100	400		
550141 NL	3/8" X 1/4"	90	360	0.74	0.78
550142 NL	1/2" X 1/8"	60	240	0.86	0.9
550143 NL	1/2" X 1/4"	60	240	0.92	0.94
550144 NL	1/2" X 3/8"	50	200	0.92	0.89
550145 NL	3/4" X 1/4"	40	160	1.01	1.05
550146 NL	3/4" X 3/8"	35	140	1.07	1.09
550147 NL	3/4" X 1/2"	30	120	1.07	1.1
550148 NL	1" X 1/2"	25	100	1.19	1.23
550149 NL	1" X 3/4"	25	100	1.29	1.3
550150 NL	1-1/4" X 1/2"		75	1.29	1.48
550151 NL	1-1/4" X 3/4"		65	1.39	1.57
550152 NL	1-1/4" X 1"		50	1.51	1.59
550153 NL	1-1/2" X 1/2"		55	1.25	1.49
550154 NL	1-1/2" X 3/4"		55	1.49	1.72
550155 NL	1-1/2" X 1"		45	1.55	1.72
550156 NL	1-1/2" X 1-1/4"		35	1.66	1.76
550157 NL	2" X 1/2"		36	1.47	1.86
550158 NL	2" X 3/4"		32	1.58	1.96
550159 NL	2" X 1"		28	1.66	1.96
550160 NL	2" X 1-1/4"		24	1.88	2.08
550161 NL	2" X 1-1/2"		20	1.88	2.08
550162 NL	2-1/2" X 1"		12		
550163 NL	2-1/2" X 1-1/4"		12		
550164 NL	2-1/2" X 1-1/2"		12		
550165 NL	2-1/2" X 2"		12	2.38	2.59
550166 NL	3" X 2"		8	2.47	2.83
550167 NL	3" X 2-1/2"		8	2.81	2.96
550168 NL	4" X 2"		3	2.71	3.42
550169 NL	4" X 2-1/2"		3		
550170 NL	4" X 3"		3	3.28	3.57

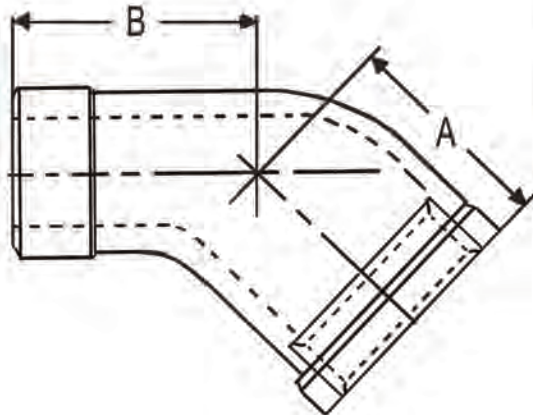
BRONZE THREADED FITTINGS

45° ELBOWS



PART #	SIZE	INNER CTN	MASTER CTN	A
550180 NL	1/8"	200	800	0.42
550181 NL	1/4"	120	480	0.55
550182 NL	3/8"	75	300	0.62
550183 NL	1/2"	50	200	0.77
550184 NL	3/4"	25	100	0.88
550185 NL	1"		90	1.06
550186 NL	1-1/4"		50	1.22
550187 NL	1-1/2"		40	1.29
550188 NL	2"		25	1.44
550189 NL	2-1/2"		12	1.94
550190 NL	3"		8	2.17
550191 NL	4"		3	2.61

45° STREET ELBOWS

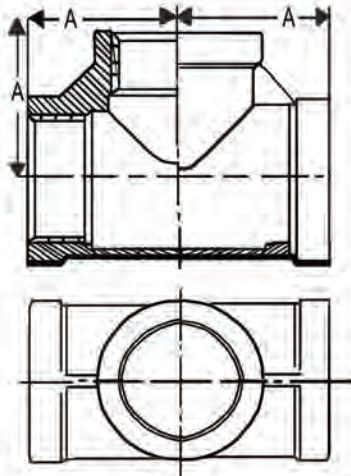


PART #	SIZE	INNER CTN	MASTER CTN	A	B
550200 NL	1/8"	200	800	0.53	0.91
550201 NL	1/4"	100	400	0.7	0.1
550202 NL	3/8"	75	300	0.81	10.23
550203 NL	1/2"	75	300	1.01	1.47
550204 NL	3/4"	50	200	1.17	1.64
550205 NL	1"	25	100	1.43	1.98
550206 NL	1-1/4"	40	80	1.68	2.23
550207 NL	1-1/2"		50	1.83	2.45
550208 NL	2"		35	2.11	2.87
550209 NL	2-1/2"		10	2.63	3.79
550210 NL	3"		8	3.01	4.44
550211 NL	4"		3	3.71	5.62

STREET ELBOWS 45

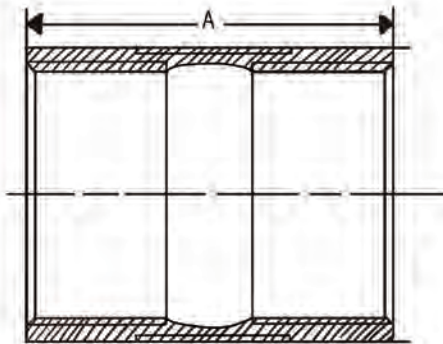
BRONZE THREADED FITTINGS

TEES



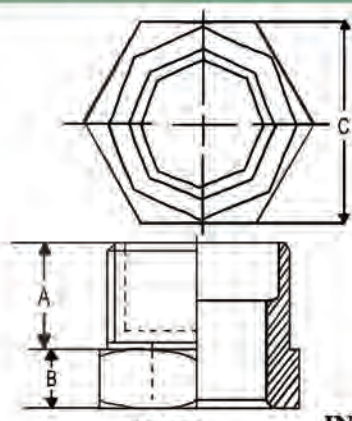
PART #	SIZE	INNER CTN	MASTER CTN	A
550220 NL	1/8"	120	480	0.53
550221 NL	1/4"	75	300	0.7
550222 NL	3/8"	50	200	0.81
550223 NL	1/2"	25	100	1
550224 NL	3/4"		85	1.17
550225 NL	1"		50	1.42
550226 NL	1-1/4"		35	1.68
550227 NL	1-1/2"		24	1.83
550228 NL	2"		15	2.11
550229 NL	2-1/2"		8	2.69
550230 NL	3"		4	3.07
550231 NL	4"		3	3.77

COUPLINGS



PART #	SIZE	INNER CTN	MASTER CTN	A
550320 NL	1/8"	200	800	0.79
550321 NL	1/4"	150	600	0.96
550322 NL	3/8"	100	400	1.05
550323 NL	1/2"	50	200	1.28
550324 NL	3/4"	25	100	1.42
550325 NL	1"	25	100	1.67
550326 NL	1-1/4"		75	1.85
550327 NL	1-1/2"		50	1.92
550328 NL	2"		30	2.19
550329 NL	2-1/2"		18	2.87
550330 NL	3"		12	3.17
550331 NL	4"		6	3.68

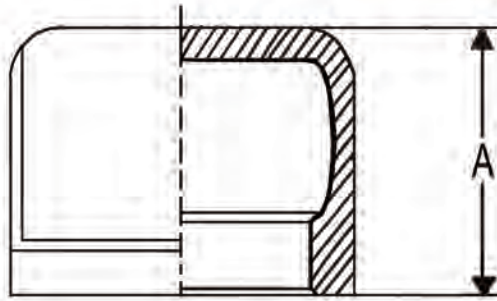
HEX BUSHINGS



PART #	SIZE	INNER CTN	MASTER CTN	A	B	C
550390 NL	1/4" X 1/8"	300	1200	0.44	0.14	0.64
550391 NL	3/8" X 1/8"	250	1000	0.48	0.16	0.68
550392 NL	3/8" X 1/4"	250	1000	0.48	0.17	0.69
550393 NL	1/2" X 1/8"	150	600	0.56	0.19	0.87
550394 NL	1/2" X 1/4"	150	600	0.56	0.19	0.87
550395 NL	1/2" X 3/8"	150	600	0.56	0.19	0.86
550396 NL	3/4" X 1/8"	90	360	0.63	0.22	1.15
550397 NL	3/4" X 1/4"	90	360	0.63	0.22	1.14
550398 NL	3/4" X 3/8"	90	360	0.38	0.22	1.15
550399 NL	3/4" X 1/2"	90	360	0.63	0.22	1.15
550400 NL	1" X 1/4"	50	200	0.75	0.3	1.12
550401 NL	1" X 3/8"	50	200	0.75	0.3	1.11
550402 NL	1" X 1/2"	50	200	0.75	0.25	1.42
550403 NL	1" X 3/4"	50	200	0.75	0.25	1.42
550406 NL	1-1/4" X 1/2"	40	160	0.8	0.34	1.34
550407 NL	1-1/4" X 3/4"	30	120	0.8	0.27	1.75
550408 NL	1-1/4" X 1"	30	120	0.8	0.28	1.75
550409 NL	1-1/2" X 1/4"	30	120	0.83	0.36	1.16
550410 NL	1-1/2" X 3/8"	30	120	0.84	0.35	1.11
550411 NL	1-1/2" X 1/2"	30	120	0.83	0.37	1.34
550412 NL	1-1/2" X 3/4"	30	120	0.83	0.36	1.6
550413 NL	1-1/2" X 1"	30	120	0.83	0.34	2
550414 NL	1-1/2" X 1-1/4"	30	120	0.82	0.34	2
550417 NL	2" x 1/2"		70	0.87	0.4	1.33
550418 NL	2" x 3/4"		70	0.87	0.4	1.62
550419 NL	2" x 1"		70	0.87	0.4	1.94
550420 NL	2" x 1-1/4"		65	0.87	0.33	2.47
550421 NL	2" x 1-1/2"		65	0.87	0.33	2.47
550425 NL	2-1/2" x 1/2"		40			
550426 NL	2-1/2" x 3/4"		40			
550427 NL	2-1/2" x 1"		40	1.06	0.43	1.94
550428 NL	2-1/2" x 1-1/4"		40	1.06	0.44	2.39
550429 NL	2-1/2" x 1-1/2"		40	1.06	0.43	2.67
550430 NL	2-1/2" x 2"		40	1.06	0.37	2.97
550431 NL	3" x 1"		24			
550432 NL	3" x 1-1/4"		24			
550433 NL	3" x 1-1/2"		24	1.15	0.48	2.67
550434 NL	3" x 2"		24	1.13	0.47	3.27
550435 NL	3" x 2-1/2"		24	1.13	0.39	3.85
550436 NL	4" X 1"		12			
550437 NL	4" X 1-1/4"		12			
550438 NL	4" X 1-1/2"		12			
550439 NL	4" X 2"		12	1.21	0.59	3.27
550440 NL	4" X 2-1/2"		12	1.23	0.6	3.87
550441 NL	4" X 3"		12	1.22	0.5	4.58

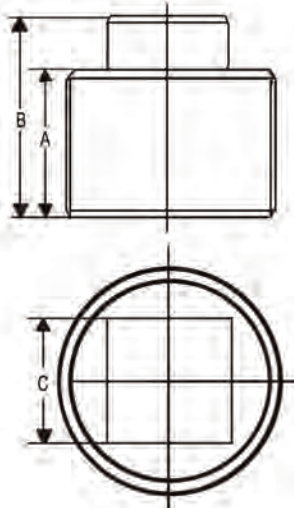
BRONZE THREADED FITTINGS

CAPS



PART #	SIZE	INNER CTN	MASTER CTN	A
550450 NL	1/8"	300	1200	0.49
550451 NL	1/4"	250	1000	0.59
550452 NL	3/8"	150	600	0.64
550453 NL	1/2"	100	400	0.75
550454 NL	3/4"	50	200	0.83
550455 NL	1"	40	160	0.99
550456 NL	1-1/4"	25	100	1.09
550457 NL	1-1/2"		100	1.15
550458 NL	2"		70	1.32
550459 NL	2-1/2"		35	1.69
550460 NL	3"		25	1.8
550461 NL	4"		10	2.08

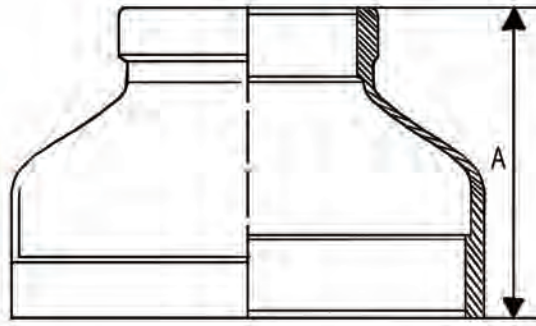
PLUGS



PART #	SIZE	INNER CTN	MASTER CTN	A	B	C
550470 NL	1/8"	300	1200	0.26	0.23	0.27
550471 NL	1/4"	250	1000	0.4	0.27	0.36
550472 NL	3/8"	150	600	0.4	0.3	0.42
550473 NL	1/2"	150	600	0.53	0.37	0.55
550474 NL	3/4"	100	400	0.54	0.43	0.61
550475 NL	1"	50	200	0.68	0.49	0.8
550476 NL	1-1/4"	35	140	0.72	0.56	0.94
550477 NL	1-1/2"	30	120	0.72	0.55	1.11
550478 NL	2"	100	100	0.75	0.61	1.3
550479 NL	2-1/2"	40	40	1.06	0.67	1.49
550480 NL	3"	32	32	1.12	0.63	1.68
550481 NL	4"	20	20	1.21	0.69	2.24

BRONZE THREADED FITTINGS

REDUCING COUPLINGS



PART #	SIZE	INNER CTN	MASTER CTN	A
550540 NL	1/4" X 1/8"	150	600	0.87
550541 NL	3/8" X 1/8"	100	400	1.01
550542 NL	3/8" X 1/4"	90	360	1.01
550543 NL	1/2" X 1/8"	75	300	1.12
550544 NL	1/2" X 1/4"	75	300	1.12
550545 NL	1/2" X 3/8"	70	280	1.16
550546 NL	3/4" X 1/8"	50	200	
550547 NL	3/4" X 1/4"	50	200	1.23
550548 NL	3/4" X 3/8"	45	180	1.23
550549 NL	3/4" X 1/2"	45	180	1.35
550550 NL	1" X 1/4"	35	140	
550551 NL	1" X 3/8"	30	120	1.43
550552 NL	1" X 1/2"	30	120	1.48
550553 NL	1" X 3/4"	25	100	1.55
550554 NL	1-1/4" X 1/2"		90	1.64
550555 NL	1-1/4" X 3/4"		90	1.64
550556 NL	1-1/4" X 1"		80	1.76
550557 NL	1-1/2" X 1/2"		75	1.79
550558 NL	1-1/2" X 3/4"		75	1.79
550559 NL	1-1/2" X 1"		65	1.79
550560 NL	1-1/2" X 1-1/4"		60	1.88
550561 NL	2" X 1/2"		40	2.02
550562 NL	2" X 3/4"		40	2.02
550563 NL	2" X 1"		40	2.02
550564 NL	2" X 1-1/4"		40	2.02
550565 NL	2" X 1-1/2"		35	2.05
550566 NL	2-1/2" X 1/2"		20	
550567 NL	2-1/2" X 3/4"		20	
550568 NL	2-1/2" X 1"		20	3.25
550569 NL	2-1/2" X 1-1/4"		20	3.16
550570 NL	2-1/2" X 1-1/2"		20	3.24
550571 NL	2-1/2" X 2"		20	3.24
550572 NL	3" X 1"		16	3.67
550573 NL	3" X 1-1/4"		16	
550574 NL	3" X 1-1/2"		16	3.61
550575 NL	3" X 2"		16	3.68
550576 NL	3" X 2-1/2"		12	3.65
550577 NL	4" X 1"		6	
550578 NL	4" X 1-1/4"		6	
550579 NL	4" X 1-1/2"		6	
550580 NL	4" X 2"		6	4.28
550581 NL	4" X 2-1/2"		6	
550582 NL	4" X 3"		6	4.36